



Audipack 700 series, designed to be displayed

The Audipack 700 series flat panel floor stands are more than just a product, they are presentation solutions offering many advantages. A unique variety of products based on one specially designed concept. A concept that has resulted in a wide range of standardized Audipack products, but also offers the possibility of customizing, tailored to individual needs. The Audipack 700 series is a range of supports and stands for flat panels which offers precision combined with flexibility. This concept complies with the functional, technical and aesthetical demands of today's professional presentation. Creating a base for numerous applications where design, safety, user-friendliness and flexibility are key elements. The Audipack 700 series is equipped with the Audipack Lock&Secure mounting system.

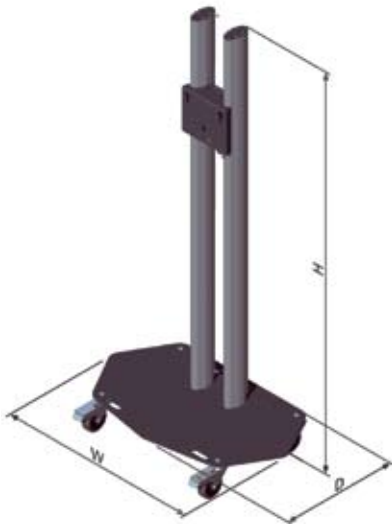
Features

- ▲ 3 integrated separate cable channels per column
- ▲ Dividable versions with quick release fixations
- ▲ Detachable column (cable) covers
- ▲ Portrait or landscape flat panel positioning
- ▲ Continuously adjustable flat panel height
- ▲ Standard or custom built models available



Floor stands L&S 3

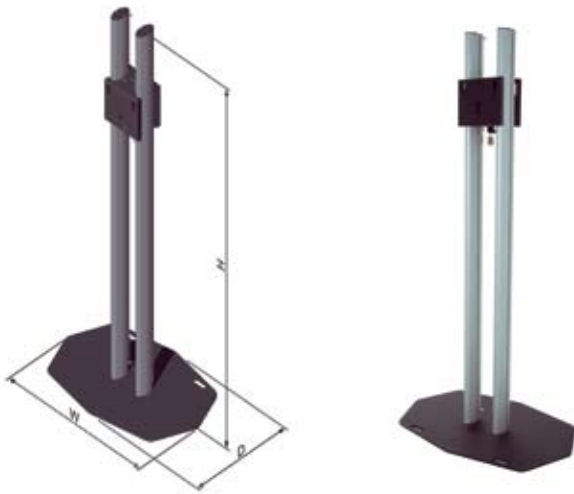

Ref.	390700	390701	390702	390707	390708
Type	Floor stand	Dividable floor stand	Dividable floor stand	Dividable floor stand	Floor stand
Dimensions in mm	W 900 x D 450 x H 1821	W 900 x D 450 x H 1829	W 900 x D 530 x H 2029	W 900 x D 530 x H 1829	W 900 x D 530 x H 1821
Max. diagonal flat panel	55 inch	55 inch	63-65 inch	63-65 inch	63-65 inch
Nett weight	± 39 Kg	± 45 Kg	± 46 Kg	± 49 Kg	± 42 Kg
Max. load	60 Kg	60 Kg	60 Kg	85 Kg	85 Kg

Floor stands on wheels L&S 3


Ref.	390704	390705
Type	Floor stand on wheels	Dividable floor stand on wheels
Dimensions in mm	W 900 x D 530 x H 1804	W 900 x D 530 x H 1812
Max. diagonal flat panel	55 inch	55 inch
Nett weight	± 40 Kg	± 51 Kg
Max. load	60 Kg	60 Kg

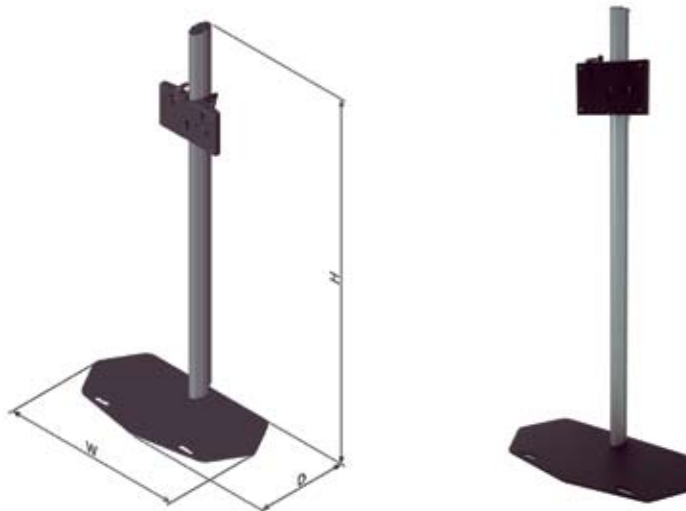


**All Audipack flightcases are made on request.
Size, colour and way of use is customers choice.**

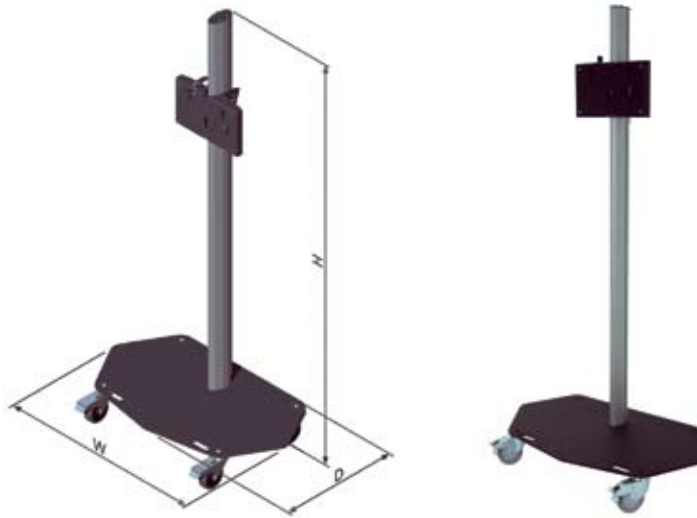
Floor stand for 2 flat panels L&S 3


Ref.	390706
Type	Floor stand for 2 flat panels back to back
Dimensions in mm	W 900 x D 600 x H 1821
Max. diagonal flat panel	55 inch
Nett weight	± 42 Kg
Max. load	80 Kg (symetrical)

Flightcase for flat panel and Quick Release 700 series floor stand

Floor stands single column L&S 3


Ref.	390770	390771
Type	Floor stand	Dividable floor stand
Dimensions in mm	W 900 x D 450 x H 1821	W 900 x D 450 x H 1829
Max. diagonal flat panel	40 inch	37 inch
Nett weight	± 26 Kg	± 32 Kg
Max. load	30 Kg	30 Kg

Floor stands on wheels L&S 3


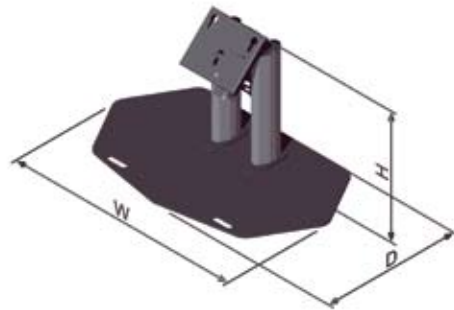
Ref.	390774	390775
Type	Floor stand on wheels	Quick-Release floor stand on wheels
Dimensions in mm	W 900 x D 530 x H 1804	W 900 x D 530 x H 1812
Max. diagonal flat panel	40 inch	37 inch
Nett weight	± 29 Kg	± 35 Kg
Max. load	30 Kg	30 Kg

Video wall floor stand L&S 3

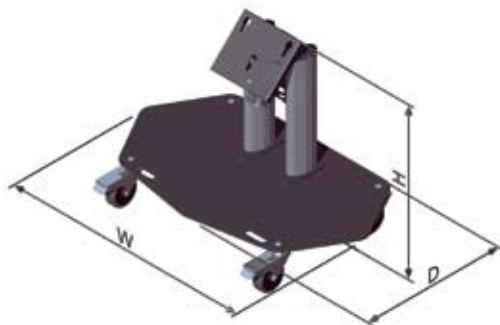

Ref.	390725
Type	Quick-Release floor stand for 3 flat panels
Dimensions in mm	W 900 x D 450 x H 2729
Max. diagonal flat panel	42 inch per piece
Nett weight	± 60 Kg
Max. load	120 Kg

Floor stand on wheels L&S 3


Ref.	390780
Type	Floor stand on wheels
Dimensions in mm	W 1255 x D 733 x H 1856
Max. diagonal flat panel	65 inch
Nett weight	± 32 Kg
Max. load	85 Kg

Floor monitor stands L&S 3


Ref.	390720	390722
Type	Quick-Release floor monitor stand	Floor monitor stand
Dimensions in mm	W 900 x D 530 x H 494	W 900 x D 530 x H 486
Max. diagonal flat panel	55 inch	55 inch
Nett weight	± 27 Kg	± 27 Kg
Max. load	60 Kg	60 Kg

Floor monitor stands on wheels L&S 3


Ref.	390721	390723
Type	Quick-Release floor monitor stand on wheels	Floor monitor stand on wheels
Dimensions in mm	W 900 x D 530 x H 621	W 900 x D 530 x H 613
Max. diagonal flat panel	55 inch	55 inch
Nett weight	± 30 Kg	± 30 Kg
Max. load	60 Kg	60 Kg

Options for double column floor stands



Ref.	390715	390716
Type	Laptop support for double column 700 series floor stands	Laptop support for double column 700 series floor stands
Max. dimensions equipment in mm	W 300 x D 250	W 450 x D 350
Maximum load	10 Kg	10 Kg

Options for single column floor stands



Ref.	390729	390730	390731
Type	Laptop support for single column 700 series floor stands	Laptop support for single column 700 series floor stands	Camera support for single column 700 series floor stands
Max. dimensions equipment in mm	W 300 x D 250	W 450 x D 350	W 250 x D 250
Maximum load	10 Kg	10 Kg	10 Kg

Options for double column stand



Ref.	390737
Type	Laptop housing for double column 700 series floor stands
Max. dimensions equipment in mm	W 400 x D 55 x H 350
Maximum load	10 Kg

Options for double column floor stands



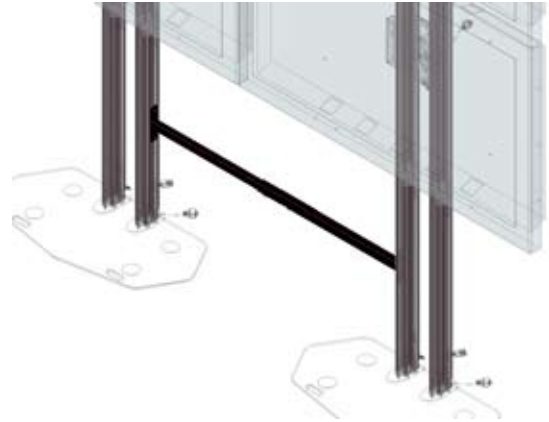
Ref.	390735	390736
Type	Laptop housing for double column 700 series floor stands	Laptop housing for double column 700 series floor stands
Max. dimensions equipment in mm	W 440 x D 380 x H 110	W 440 x D 380 x H 80
Maximum load	10 Kg	10 Kg

Option



Ref.	230052
Type	Numeric padlock for 700 series mounting head

Option



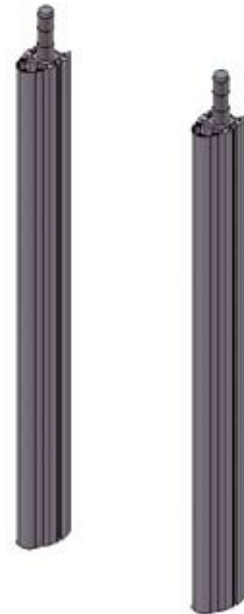
Ref.	390728
Type	Set of connectors to connect 2 x 390725

Option



Ref.	390724
Type	Column set to change 390701 into 390721
Nett length in mm	400

Option



Ref.	390732
Type	Set of 2 extension columns for dividable double column 700 series floor stands
Nett length in mm	900

Options for double column floor stands



Ref.	390711
Type	L&S 3 Mounting head for double column 700 series floor stands
Max. diagonal flat panel	55 inch

NOTE: Excluding numeric lock ref. 230052 as depicted

Options for double column floor stands



Ref.	390712
Type	Back-to-back L&S 3 mounting head. To be fixed to ref. 390711
Max. diagonal flat panel	55 inch

NOTE: Excluding numeric lock ref. 230052 as depicted

Option



Ref.	P3496
Type	Flat panel landscape-portrait rotatable adaptor. Manual 90° rotation of the flat panel
Max. load	80 Kg
Colour	black RAL 9005

