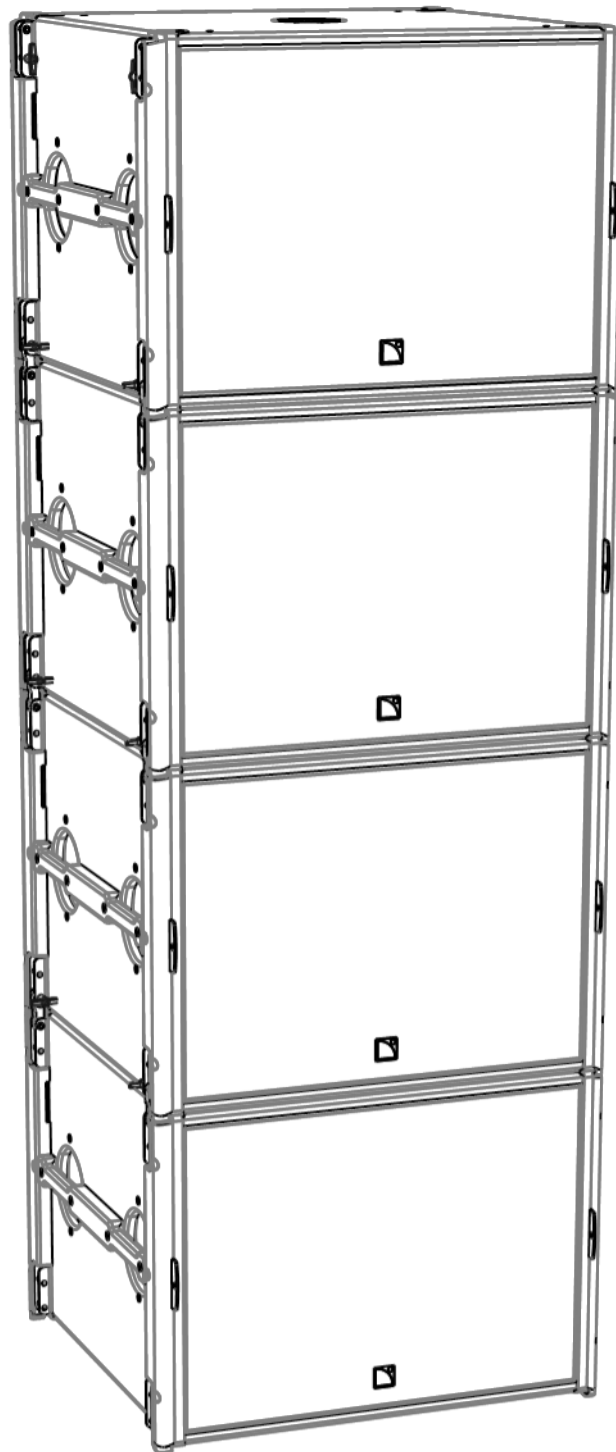


# SB 18 (i/m)



user manual



**SB18 / SB18i / SB18m SUBWOOFER**  
**USER MANUAL**  
VERSION 4.0

---

**Document reference: SB18\_UM\_4.0**

**Distribution date: March 30, 2017**

© 2017 L-ACOUSTICS®. All rights reserved.

**No part of this publication may be reproduced or transmitted in any form  
or by any means without the express written consent of the publisher.**

---

## SAFETY INSTRUCTIONS

1. **Read this manual**
2. **Follow all SAFETY INSTRUCTIONS as well as DANGER and OBLIGATION warnings**
3. **Never incorporate equipment or accessories not approved by L-ACOUSTICS®**
4. **Read all the related PRODUCT INFORMATION documents before exploiting the system**  
The product information document is included in the shipping carton of the related system component.
5. **Read the RIGGING MANUAL before installing the system**  
Use the rigging accessories described in the rigging manual and follow the associated procedures
6. **Beware of sound levels**  
Do not stay within close proximity of loudspeakers in operation and consider wearing earplugs.  
Loudspeaker systems are capable of producing very high sound pressure levels (SPL) which can instantaneously lead to permanent hearing damage to performers, production crew and audience members. Hearing damage can also occur with prolonged exposure to sound: 8 h at 90 dB(A), 30 min at 110 dB(A), less than 4 min at 130 dB(A).

## SYMBOLS

The following symbols are used in this document:



### **DANGER**

This symbol indicates a potential risk of harm to an individual or damage to the product.

It can also notify the user about instructions that must be strictly followed to ensure safe installation or operation of the product.



### **ELECTRICAL HAZARD**

This symbol indicates a potential risk of electrical injury.

It can also notify the user about instructions that must be strictly followed to ensure safe installation or operation of the product.



### **OBLIGATION**

This symbol notifies the user about instructions that must be strictly followed to ensure proper installation or operation of the product.



### **INFORMATION**

This symbol notifies the user about complementary information or optional instructions.

**SB18 / SB18i / SB18m SUBWOOFER**  
**USER MANUAL**  
VERSION 4.0

---

**WELCOME TO L-ACOUSTICS®**

Thank you for choosing the L-ACOUSTICS® **SB18 system**.

This document contains essential information on using the system properly. Carefully read this document in order to become familiar with the system.

**As part of a continuous evolution of techniques and standards, L-ACOUSTICS® reserves the right to change the specifications of its products and the content of its document without prior notice.**

Please check the L-ACOUSTICS® web site on a regular basis to download the latest document and software updates:  
[www.l-acoustics.com](http://www.l-acoustics.com).

**CONTENTS**

<b>SB18 SUBWOOFER ENCLOSURE</b>	<b>5</b>
<b>I SYSTEM COMPONENTS</b>	<b>6</b>
1.1 Loudspeaker enclosure .....	6
1.2 Powering and driving system.....	6
1.3 Loudspeaker cables.....	6
1.4 Rigging element.....	6
1.5 Software application.....	6
<b>2 LOUDSPEAKER CONFIGURATIONS</b>	<b>8</b>
2.1 Standard configuration .....	8
2.2 Cardioid configuration.....	9
<b>3 LOUDSPEAKER CONNECTION</b>	<b>10</b>
3.1 Connectors .....	10
3.2 Connection to LA4 / LA4X .....	11
3.3 Connection to LA8.....	12
<b>APPENDIX A PRESET DESCRIPTION</b>	<b>14</b>
[SB18_60] or [SB18_100].....	14
[SB18_60_C] or [SB18_100_C] .....	14
<b>APPENDIX B RECOMMANDATION FOR SPEAKER CABLES</b>	<b>14</b>
<b>APPENDIX C SPECIFICATIONS</b>	<b>15</b>

---

## SB18 SUBWOOFER ENCLOSURE

The SB18 is the recommended subwoofer for modular WST® line sources and coaxial enclosures. It allows extending the operating frequency range of the system down to 32Hz.

The SB18 features one 18" neodymium speaker in a dual bass-reflex tuned enclosure. It provides impact, sensitivity, low thermal compression and reduced distortion. One of the vents features a progressive profile allowing laminar airflow and reduced turbulence noise, even at the highest operating levels. These combined properties contribute to the sonic qualities of the SB18 in terms of precision and musicality. The cabinet is made of first grade Baltic birch plywood to ensure maximum acoustical and mechanical integrity.

A 4-point rigging system is integrated into the cabinet and allows SB18 subwoofers to be flown or ground-stacked, as a standalone array or within a vertical SB18/KARA array. The cabinet also features a pole mount socket for one XT or two KIVA enclosures.

The SB18 is driven and amplified by the LA4X or the LA8 controller. These ones ensure linearization, protection and optimization for the loudspeaker system in its different configurations, cardioid included.



### **SB18 / SB18i / SB18m**

In this document, the SB18 term and illustration will refer equally to SB18, SB18i or SB18m. These products are different versions of the same subwoofer and share the same operating modes, presets and recommended configurations. The rigging system of each version has been designed to be compatible with a distinct main system: SB18 with KARA®, SB18i with KARAI and SB18m with ARCS® FOCUS/WIDE. All SB18 versions feature a pole mount socket for use with one XT, two KIVA or one ARCS® FOCUS/WIDE.

# SB18 / SB18i / SB18m SUBWOOFER

## USER MANUAL

VERSION 4.0

---

## 1 SYSTEM COMPONENTS

The system approach developed by L-ACOUSTICS® consists in offering a global solution that guarantees the highest and most predictable level of performance at any step of loudspeaker system deployment: modeling, installation, and operation. A complete L-ACOUSTICS® system includes enclosures, amplified controllers, cables, rigging system and software applications.

### 1.1 Loudspeaker enclosure

---

SB18 Subwoofer enclosure, down to 32 Hz.



#### Loudspeaker system design

Sound design aspects are beyond the scope of this document. However, the various applications of the system will be based on the loudspeaker configurations presented in this document.

### 1.2 Powering and driving system

---

LA4, LA4X, LA8 Amplified controller with DSP, preset library and networking capabilities

LA-RAK Touring rack containing three LA8, for mains, audio signals and network distribution



#### Operating instructions

Refer to the **LA4, LA4X, LA8 or LA-RAK user manual**.

### 1.3 Loudspeaker cables

---

DO cables (DO.7, DO10, DO25) 8-point PA-COM® loudspeaker cables (4 mm<sup>2</sup> section).  
Respective lengths of 0.7 m/2.3 ft, 10 m/32.8 ft, and 25 m/82 ft.

DOSUB-LA8 Breakout cable for four passive enclosures.  
8-point PA-COM® to 4 × 2-point SpeakON® (4 mm<sup>2</sup> section).

DO3WFILL Breakout cable for one 2-way active enclosure and two passive enclosures  
8-point PA-COM® to 2 × 2-point SpeakON® and 1 × 4-point SpeakON® (4 mm<sup>2</sup> section).

SP cables (SP.7, SP5, SP10, SP25) 4-point SpeakON® loudspeaker cables (4 mm<sup>2</sup> section).  
Respective lengths of 0.7 m/2.3 ft, 5 m/16.4 ft, 10 m/32.8 ft and 25 m/82 ft.

SP-YI Breakout cable for two passive enclosures.  
4-point SpeakON® to 2 × 2-point SpeakON® (2.5 mm<sup>2</sup> section).  
Provided with CC4FP adapter.



Information about the connection of the enclosures to the LA amplifiers is given in this document. Refer to the **LA4, LA4X, LA8 and LA-RAK user manuals** for detailed instructions about the whole cabling scheme, including modulation cables and network.

### 1.4 Rigging element

---



Rigging elements or procedures are not presented in this document. According to the version of the subwoofer and the system to set-up, refer to the applicable rigging manual.

### 1.5 Software application

---

SOUNDVISION Proprietary acoustical and mechanical 3D modeling software.

LA NETWORK MANAGER Remote control and monitoring of amplified controllers



#### Using L-ACOUSTICS® software

Refer to the **SOUNDVISION user manual** and the **LA NETWORK MANAGER tutorial**.



SB18



LA-RAK



LA4



LA4X



LA8



DO.7



SPY1



DOSUB-LA8



SP.7



DO10



SP5



DO3WFILL



DO25



SP10



SP25



Soundvision



LA Network Manager

**SB18 system components** (excluding rigging elements and modulation cables)

## 2 LOUDSPEAKER CONFIGURATIONS

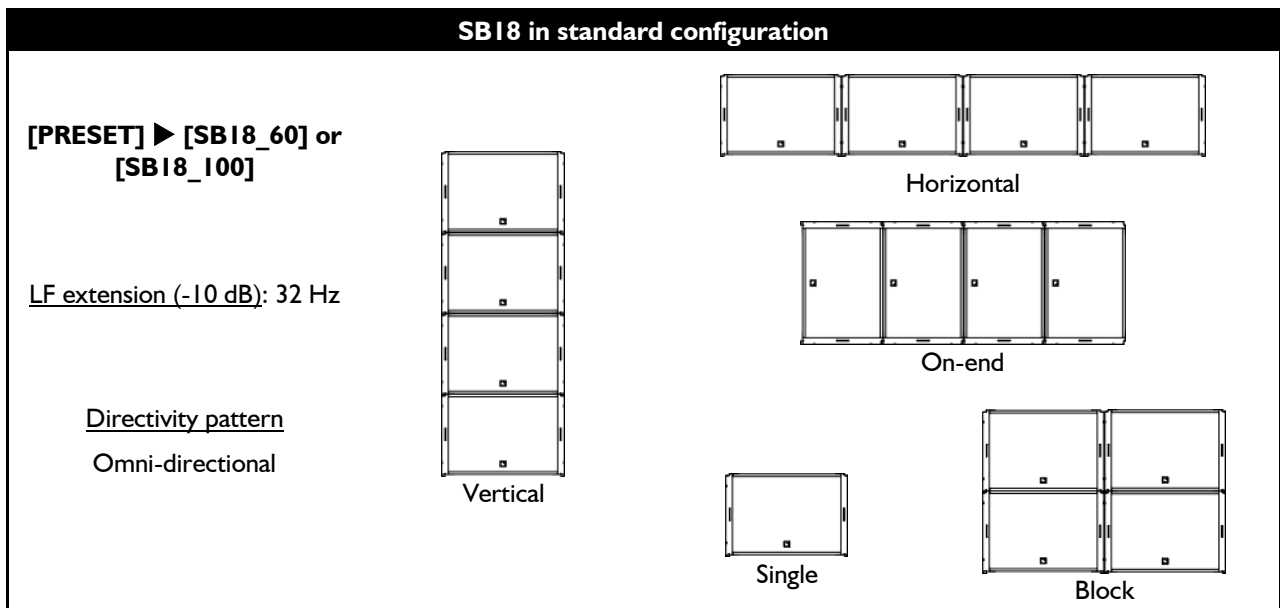
### 2.1 Standard configuration

The standard configuration corresponds to the use of subwoofers as single elements or as standard subwoofer arrays. In this configuration the system operates with an omni-directional directivity pattern.

The [SB18\_60] preset offers a 60 Hz upper frequency limit.

The [SB18\_100] preset offers a 100 Hz upper frequency limit.

The SB18 subwoofers are driven by the LA4, LA4X or LA8 amplified controllers.



#### Delay settings

When combining a line source with subwoofers, delays may have to be added to the presets. Refer to the **PRESET GUIDE** to obtain the pre-alignment delay values.

#### Distance between enclosures

Place the subwoofer enclosures side by side.

If not possible, the maximum distance between two adjacent acoustic centers must be:

- 1.7 m with [SB18\_100]
- 2.80 m for [SB18\_60]



## 2.2 Cardioid configuration

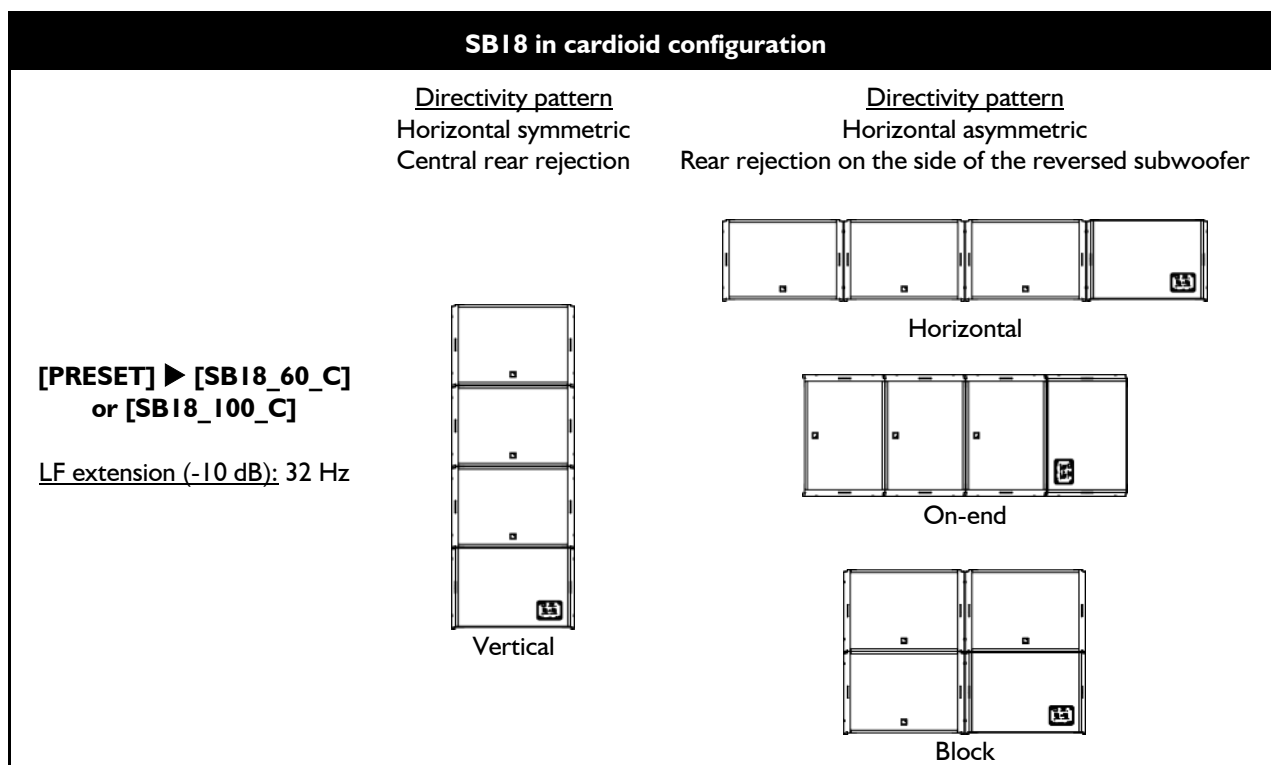
The cardioid configuration corresponds to the use of subwoofers as cardioid subwoofer arrays. In this configuration, the system produces a rear SPL rejection.

The [SB18\_60\_C] preset features a 60 Hz upper frequency limit.

The [SB18\_100\_C] preset features a 100 Hz upper frequency limit.

They both feature delay settings optimized for cardioid SB18 arrays.

The SB18 subwoofers are driven by the LA4, LA4X or LA8 amplified controllers.



### Delay settings

When combining a line source with subwoofers, delays may have to be added to the presets. Refer to the **PRESET GUIDE** to obtain the pre-alignment delay values.



### Distance between enclosures

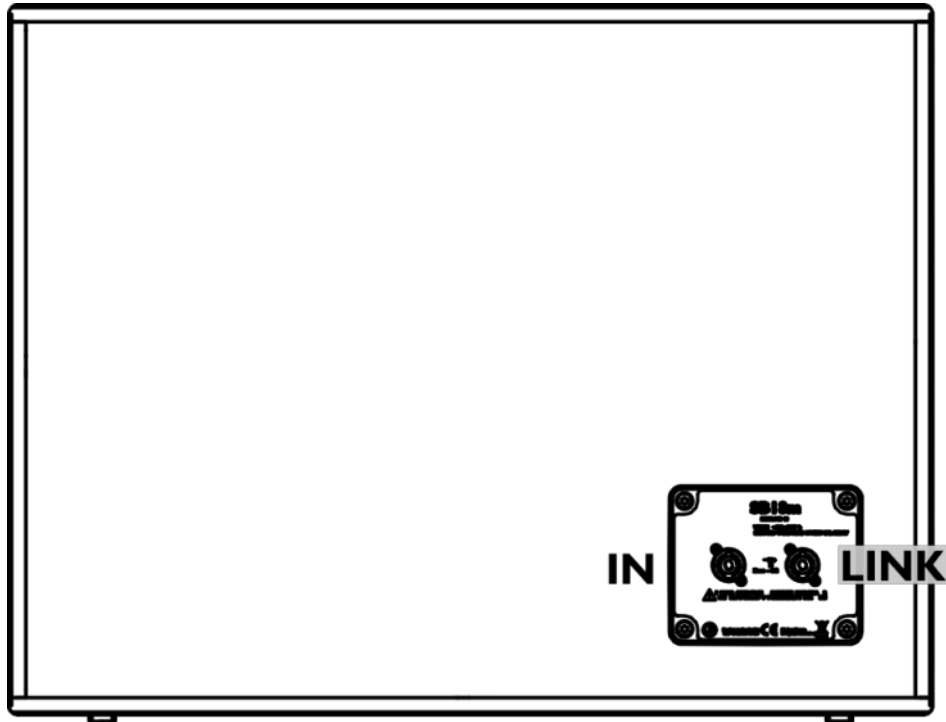
Place the subwoofer enclosures side by side.

If not possible, the maximum distance between two adjacent acoustic centers must be:

- 1.7 m with [SB18\_100\_C]
- 2.80 m for [SB18\_60\_C]

### 3 LOUDSPEAKER CONNECTION

#### 3.1 Connectors



The SB18 subwoofer is equipped with two 4-point SpeakON® connectors.

The IN connector allows receiving the audio signal and the LINK connector allows routing it to another SB18 enclosure in parallel.



The SB18 connection in parallel is only possible with the LA8 amplified controller.



#### Internal pinout for L-ACOUSTICS® subwoofers enclosures

SpeakON® points	1+	1-	2+	2-
Transducer connectors	LF +	LF -	Not used	Not used

### 3.2 Connection to LA4 / LA4X



#### Maximum of 4 enclosures per LA4 / LA4X

1 SB18 can be connected to each output channel on the LA4. Therefore, a single LA4 amplified controller can drive up to 4 enclosures.



#### Cardioid configuration

Connect the reversed subwoofer to OUT 1 to use the cardioid preset.



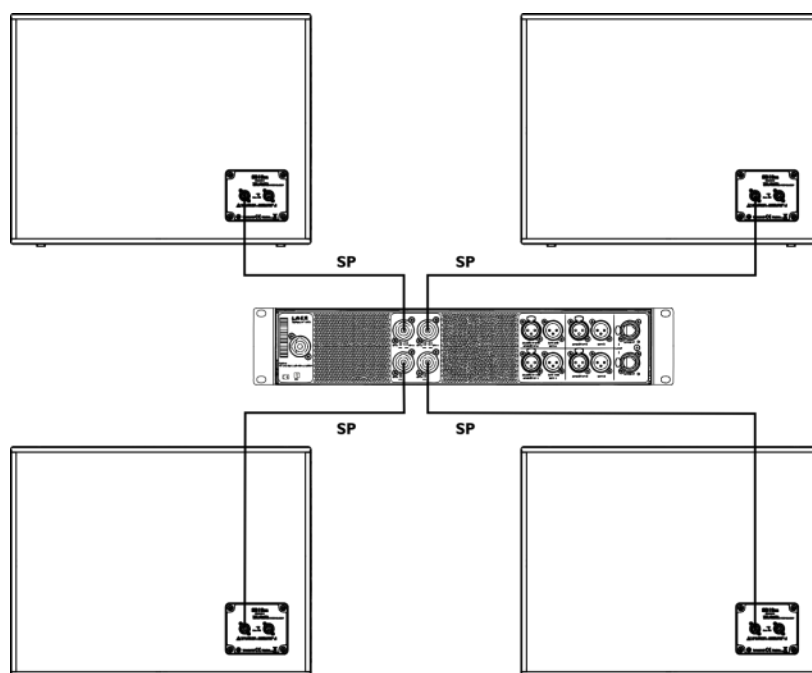
#### Impedance load

8  $\Omega$  for 1 SB18.

To connect the SB18 to the LA4 / LA4X, 2 options are available.

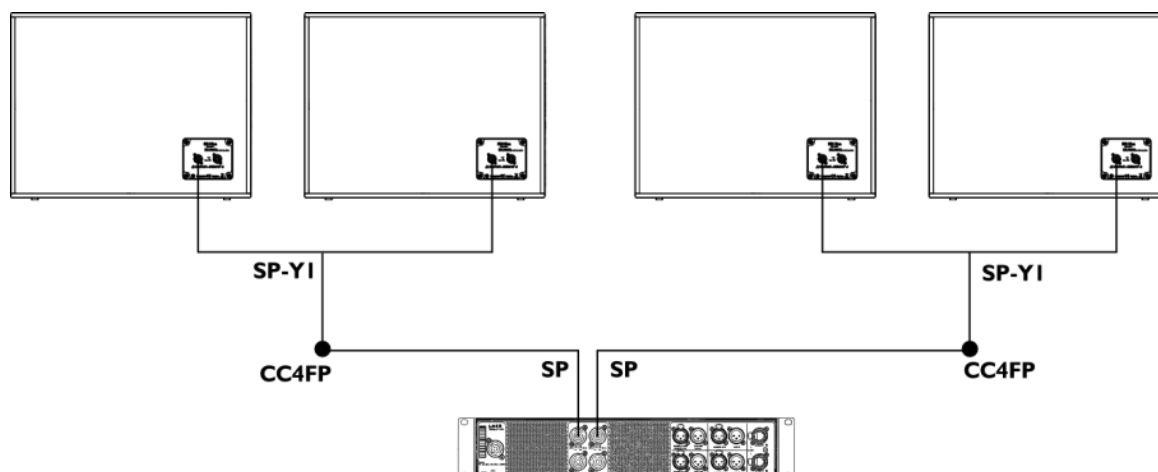
#### Option A

- Use **SP cables** (SP.7, SP5, SP10 or SP25) to connect one enclosure to each of the four LA4 / LA4X output channels.



#### Option B

- Connect an **SP cable** (SP.7, SP5, SP10 or SP25) to the OUT1/OUT2 and OUT3/OUT4 connectors of the LA4 / LA4X.
- Use a **CC4FP adapter** to connect an **SP-YI cable** and separate the two output channels.
- Apply the same cabling scheme for the OUT3/OUT4 connector.



# SB18 / SB18i / SB18m SUBWOOFER

## USER MANUAL

VERSION 4.0

### 3.3 Connection to LA8



#### Maximum of 8 enclosures per LA8

2 SB18 can be connected in parallel to each output channel on the LA8. Therefore, a single LA8 amplified controller can drive up to 8 enclosures.



#### Cardioid configuration

Connect the reversed subwoofers to OUT 1 to use the cardioid preset.



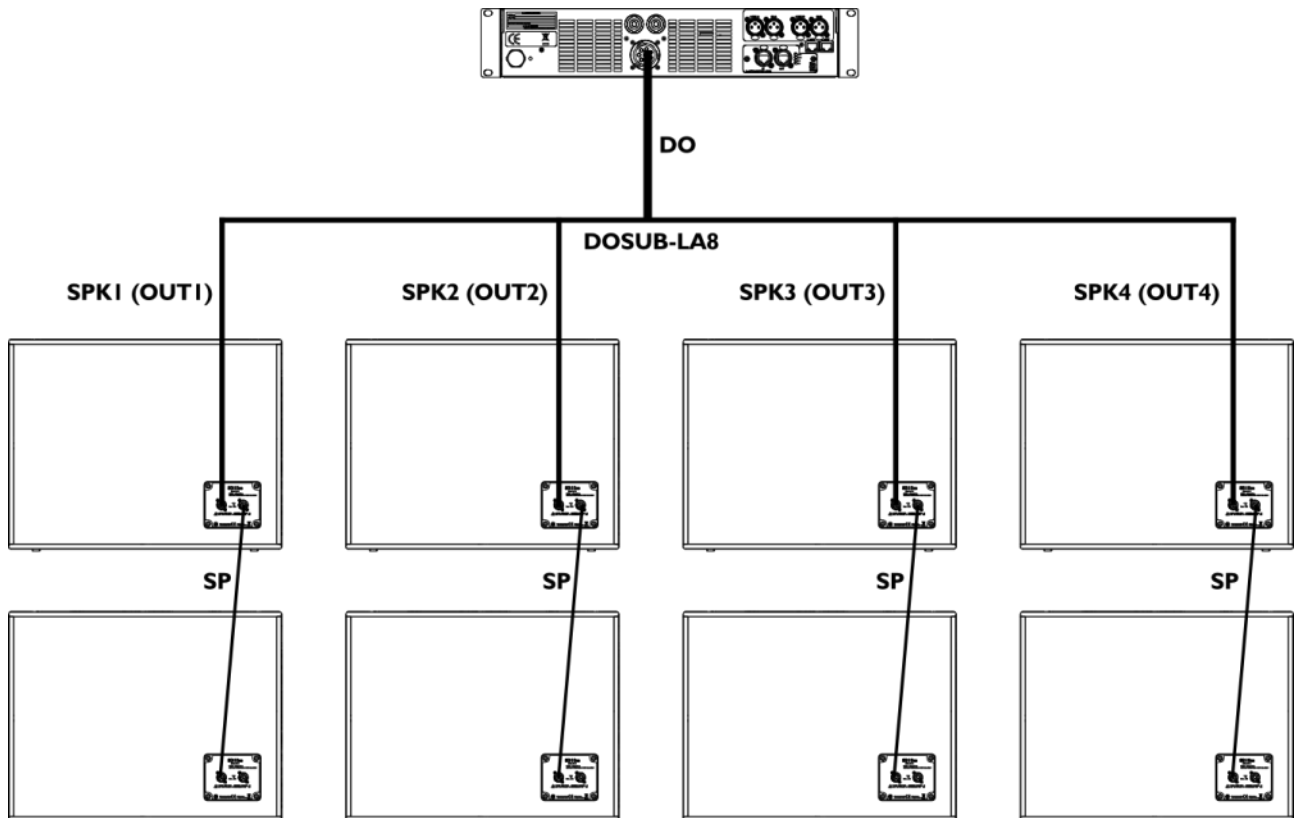
#### Impedance load

8  $\Omega$  for 1 enclosure, 4  $\Omega$  for 2 enclosures.

To connect the SB18 to the LA8, 2 options are available.

#### Option A

- ▶ Connect a **DO cable** (DO.7, DO10 or DO25) to the LA8 PA-COM<sup>®</sup> connector
- ▶ Use the **DOSUB-LA8** to separate the four output channels.
- ▶ If necessary, use **SP cables** to connect additional SB18 enclosures in parallel with the first ones.

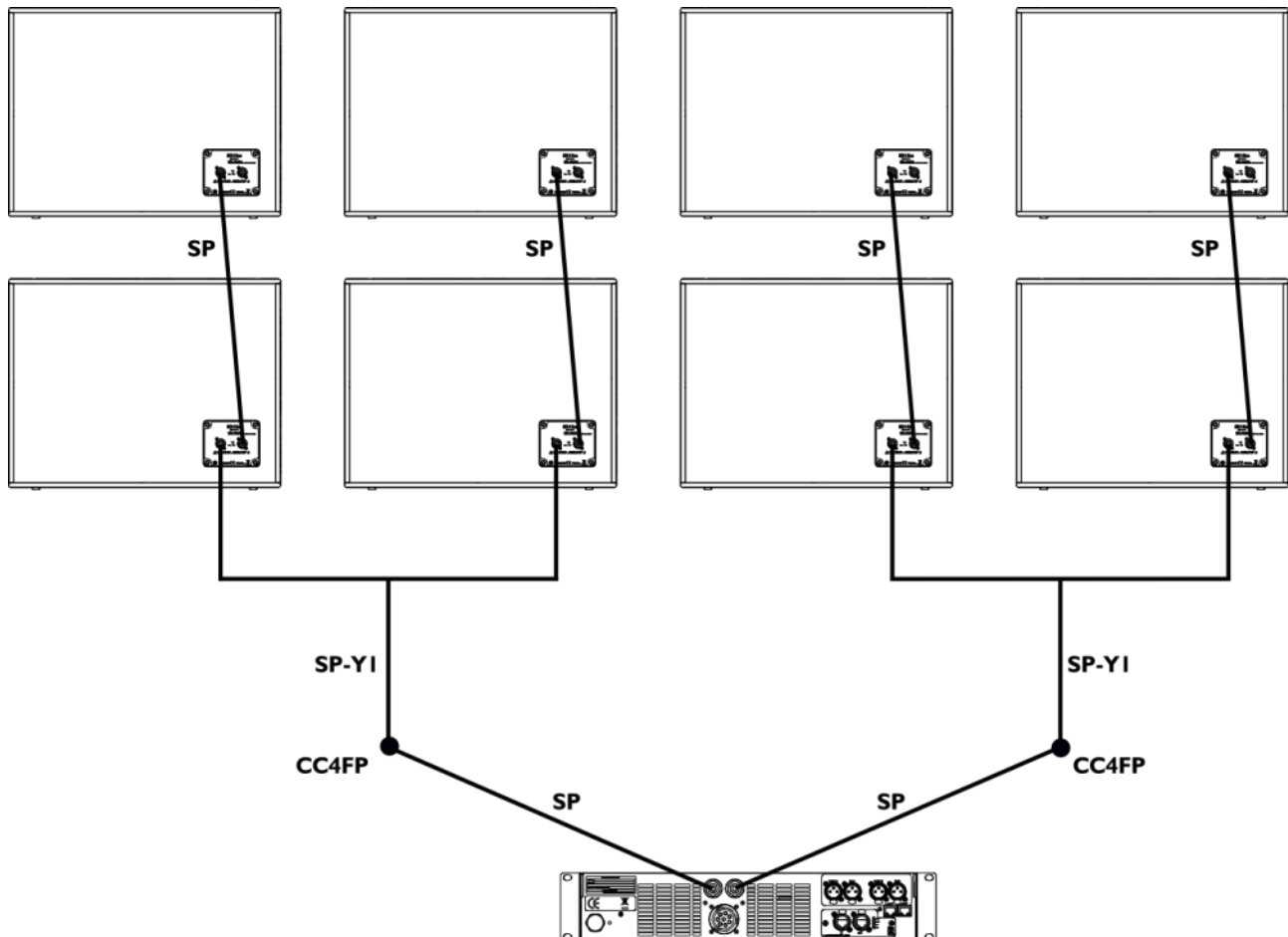


### Option B



With various enclosure types connected to the same amplifier, this cabling scheme needs a custom preset.

- ▶ Connect an **SP** cable (SP.7, SP5, SP10 or SP25) to the OUT1/OUT2 and OUT3/OUT4 LA8 SpeakON® connectors.
- ▶ Use a **CC4FP adapter** to connect an **SP-YI** cable and separate the two output channels.
- ▶ If necessary, use **SP cables** to connect additional similar enclosures in parallel with the first ones.



# SB18 / SB18i / SB18m SUBWOOFER

## USER MANUAL

VERSION 4.0

### APPENDIX A PRESET DESCRIPTION

#### [SB18\_60] or [SB18\_100]

The [SB18\_60] preset provides the subwoofer enclosures with an upper frequency limit at 60 Hz.

The [SB18\_100] preset provides the subwoofer enclosures with an upper frequency limit at 100 Hz.

It is used for SB18 subwoofers deployed as single elements or arrays in standard configuration.

Loudspeaker elements	Amplifier outputs	Channels	Default parameters				
			Routing	Gain	Delay	Polarity	Mute
SB18	OUT 1	SB	IN A	0 dB	0 ms	+	ON
SB18	OUT 2	SB	IN A	0 dB	0 ms	+	ON
SB18	OUT 3	SB	IN B	0 dB	0 ms	+	ON
SB18	OUT 4	SB	IN B	0 dB	0 ms	+	ON

#### [SB18\_60\_C] or [SB18\_100\_C]

The [SB18\_60\_C] preset provides the subwoofer enclosures with an upper frequency limit at 60 Hz.

The [SB18\_100\_C] preset provides the subwoofer enclosures with an upper frequency limit at 100 Hz.

They both feature optimized delay settings for subwoofers deployed arrays in cardioid configuration.

Loudspeaker elements	Amplifier outputs	Channels	Default parameters				
			Routing	Gain	Delay	Polarity	Mute
Reversed SB18	OUT 1	SR	IN A	0 dB	0 ms	+	ON
SB18	OUT 2	SB					ON
SB18	OUT 3	SB					ON
SB18	OUT 4	SB					ON

### APPENDIX B RECOMMENDATION FOR SPEAKER CABLES



#### Cable quality and resistance

Only use high-quality fully insulated speaker cables made of stranded copper wire.

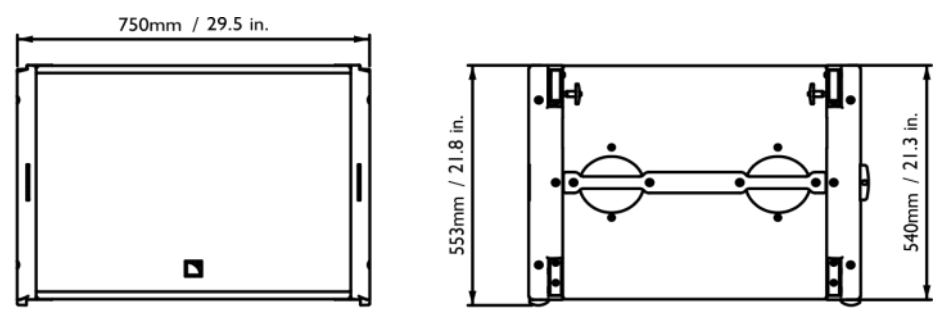
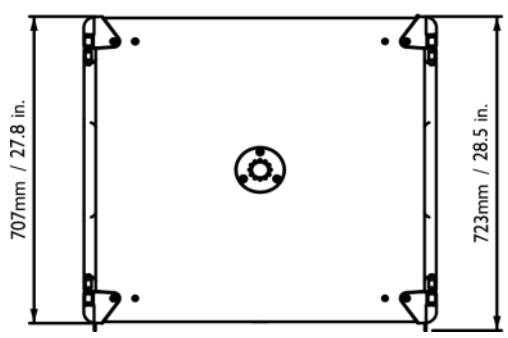
Use cables of gauge offering low resistance per unit length and keep the cables as short as possible.

The following table provides the recommended maximum length depending on the cable cross-section and on the impedance load connected to the amplifier.

Cable cross-section			Recommended maximum length					
			8 $\Omega$ load		4 $\Omega$ load		2.7 $\Omega$ load	
mm <sup>2</sup>	SWG	AWG	m	ft	m	ft	m	ft
2.5	15	13	30	100	15	50	10	33
4	13	11	50	160	25	80	17	53
6	11	9	74	240	37	120	25	80
10	9	7	120	390	60	195	40	130

## APPENDIX C SPECIFICATIONS

### SB18

<b>Description</b>	Subwoofer enclosure, amplified by LA4X / LA8 / LA12X	
<b>Low frequency limit (-10 dB)</b>	32 Hz ([SB18_100] preset)	
<b>Maximum SPL<sup>1</sup></b>	138 dB ([SB18_100] preset)	
<b>RMS power handling</b>	700 W	
<b>Transducers</b>	1 × 18" weather-resistant, direct radiation, dual bass-reflex	
<b>Nominal impedance</b>	8 Ω	
<b>Connectors</b>	IN: 1 × 4-point SpeakON®	LINK: 1 × 4-point SpeakON®
<b>Rigging components</b>	Integrated pole-mount socket Integrated rigging system Handles integrated into the cabinet	
		
<p><b>Dimensions</b></p> 		
<b>Physical data</b>	<b>Weight (net):</b>	52 kg / 115 lb
	<b>Cabinet:</b>	Baltic birch plywood
	<b>Finish:</b>	Dark Grey brown (Pantone 426C)
	<b>Front:</b>	Steel grill with anti-corrosion coating Airnet® acoustically neutral fabric
	<b>Protection rating</b>	IP45
	<b>Rigging components:</b>	Steel with anti-corrosion coating

<sup>1</sup> Peak level measured at 1 m under half-space conditions using pink noise with crest factor 4 (preset specified in brackets).

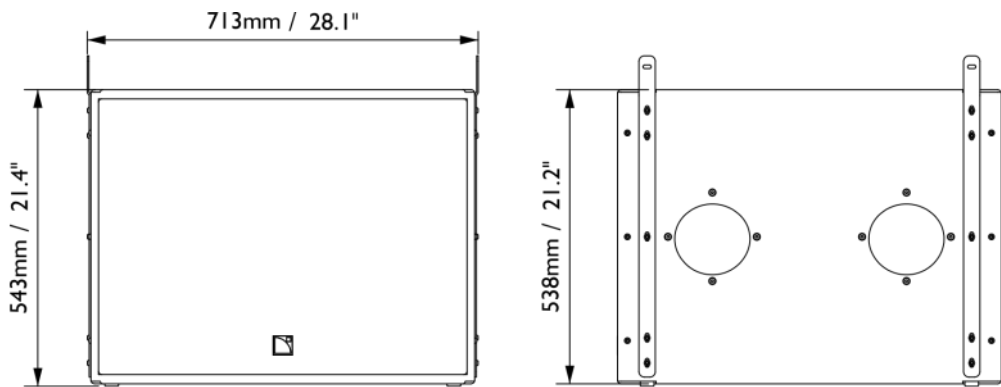
# SB18 / SB18i / SB18m SUBWOOFER

## USER MANUAL

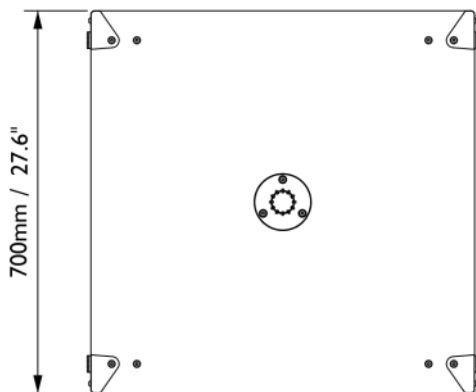
VERSION 4.0

### SB18i

<b>Description</b>	Subwoofer enclosure, amplified by LA4X / LA8 / LA12X, for permanent install	
<b>Low frequency limit (-10 dB)</b>	32 Hz ([SB18_100] preset)	
<b>Maximum SPL<sup>1</sup></b>	138 dB ([SB18_100] preset)	
<b>RMS power handling</b>	700 W	
<b>Transducers</b>	1 × 18" weather-resistant, direct radiation, dual bass-reflex	
<b>Nominal impedance</b>	8 Ω	
<b>Connectors</b>	IN: 1 × 4-point SpeakON®	LINK: 1 × 4-point SpeakON®
<b>Rigging components</b>	Integrated pole-mount socket Integrated rigging system Handles integrated into the cabinet	



### Dimensions



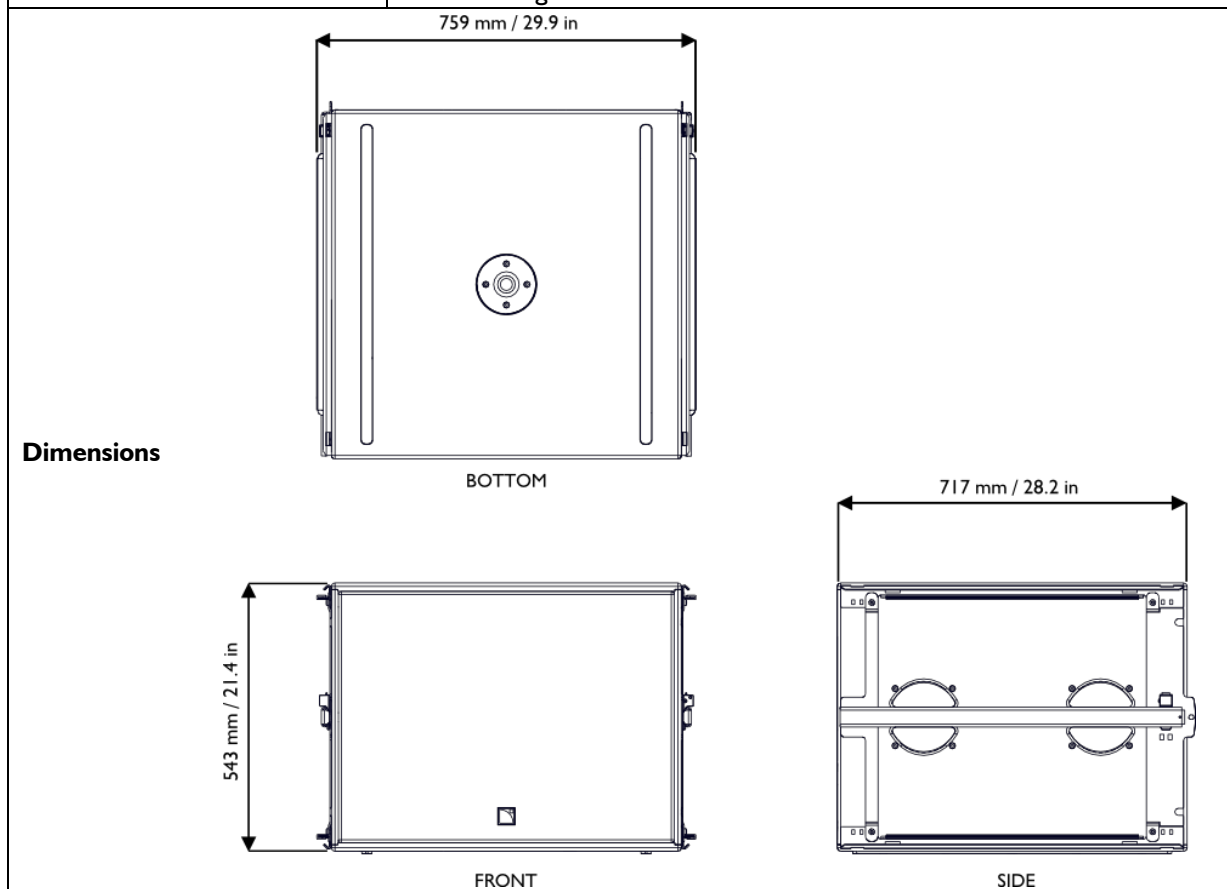
<b>Physical data</b>	<b>Weight (net):</b>	52 kg / 115 lbs.
	<b>Cabinet:</b>	Baltic birch plywood
	<b>Finish:</b>	Dark Grey brown (Pantone 426C) Custom RAL code on special order
	<b>Front:</b>	Steel grill with anti-corrosion coating Airnet® acoustically neutral fabric
	<b>Protection rating</b>	IP45
	<b>Rigging components:</b>	Steel with anti-corrosion coating

<sup>1</sup> Peak level measured at 1 m under half-space conditions using pink noise with crest factor 4 (preset specified in brackets).



**SB18m**

<b>Description</b>	Subwoofer enclosure, amplified by LA4X / LA8 / LA12X	
<b>Low frequency limit (-10 dB)</b>	32 Hz ([SB18_100] preset)	
<b>Maximum SPL<sup>1</sup></b>	138 dB ([SB18_100] preset)	
<b>RMS power handling</b>	700 W	
<b>Transducers</b>	1 × 18" weather-resistant, bass-reflex	
<b>Nominal impedance</b>	8 Ω	
<b>Connectors</b>	IN: 1 × 4-point SpeakON®	LINK: 1 × 4-point SpeakON®
<b>Rigging components</b>	Integrated pole-mount socket Captive coupling bars Handles integrated into the cabinet	



<b>Physical data</b>	<b>Weight (net):</b>	62 kg / 137 lb
	<b>Cabinet:</b>	Baltic birch plywood
	<b>Finish:</b>	Dark Grey brown (Pantone 426C) Custom RAL code on special order
	<b>Front:</b>	Steel grill with anti-corrosion coating Airnet® acoustically neutral fabric
	<b>Rigging components:</b>	Steel with anti-corrosion coating

<sup>1</sup> Peak level measured at 1 m under half-space conditions using pink noise with crest factor 4 (preset specified in brackets).



**L-Acoustics, an L-Group Company**

13 rue Levacher Cintrat – 91460 Marcoussis – France  
+33 1 69 63 69 63 – [info@l-acoustics.com](mailto:info@l-acoustics.com)  
[www.l-acoustics.com](http://www.l-acoustics.com)

**L-Acoustics GmbH**

Steiermärker Str. 3-5  
70469 Stuttgart  
Germany  
+49 7 11 89660 323

**L-Acoustics Ltd.**

PO. Box Adler Shine - Aston House  
Cornwall Avenue - London N3 1LF  
United Kingdom  
+44 7224 11 234

**L-Acoustics Inc.**

2645 Townsgate Road, Suite 600  
Westlake Village, CA 91361  
USA  
+1 805 604 0577



L-GROUP

[www.l-group.com](http://www.l-group.com)